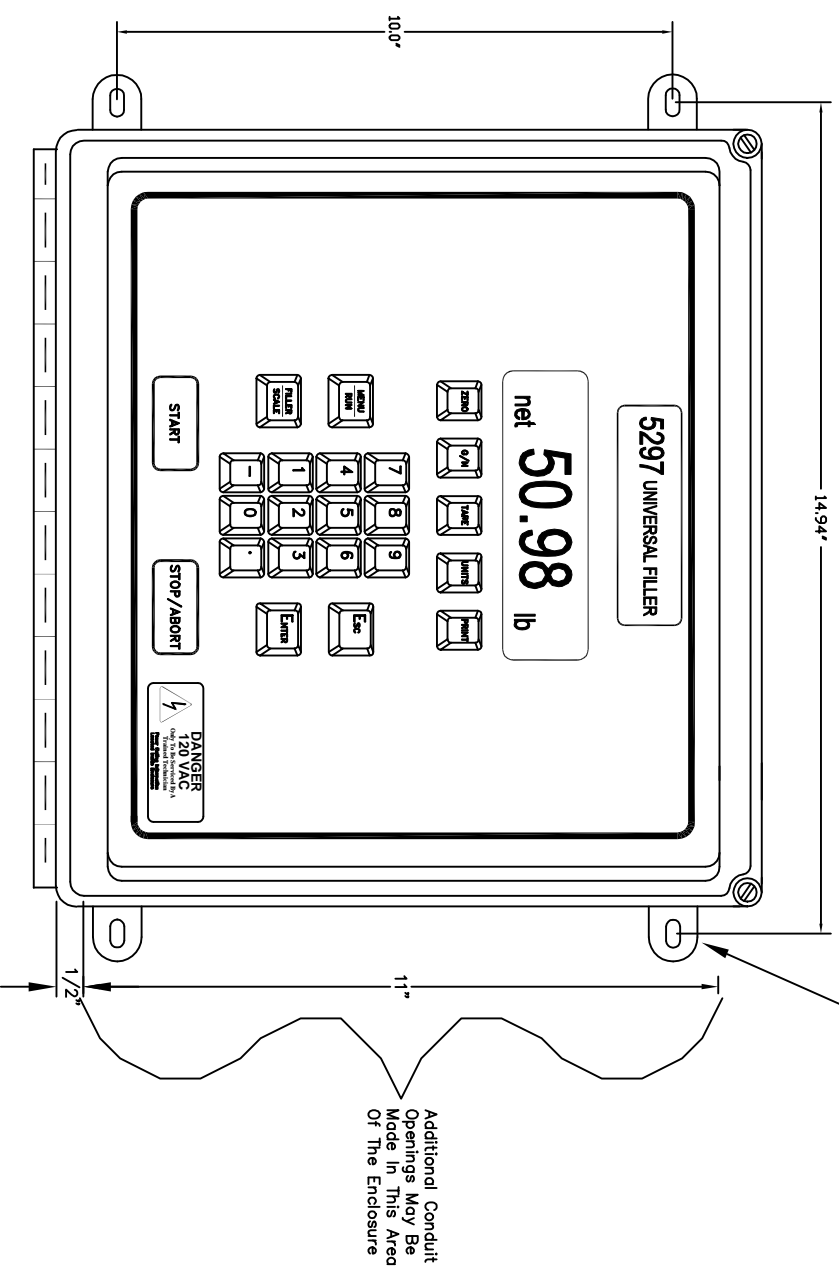
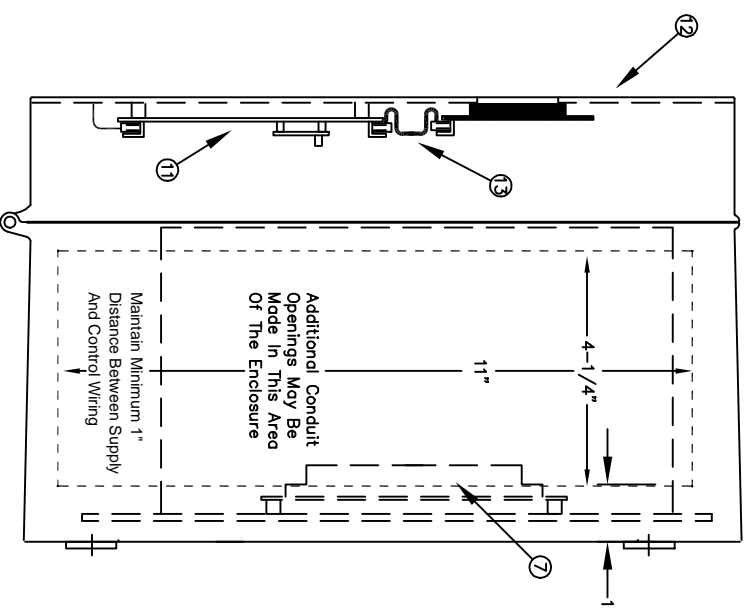


5297 Controller
Front View

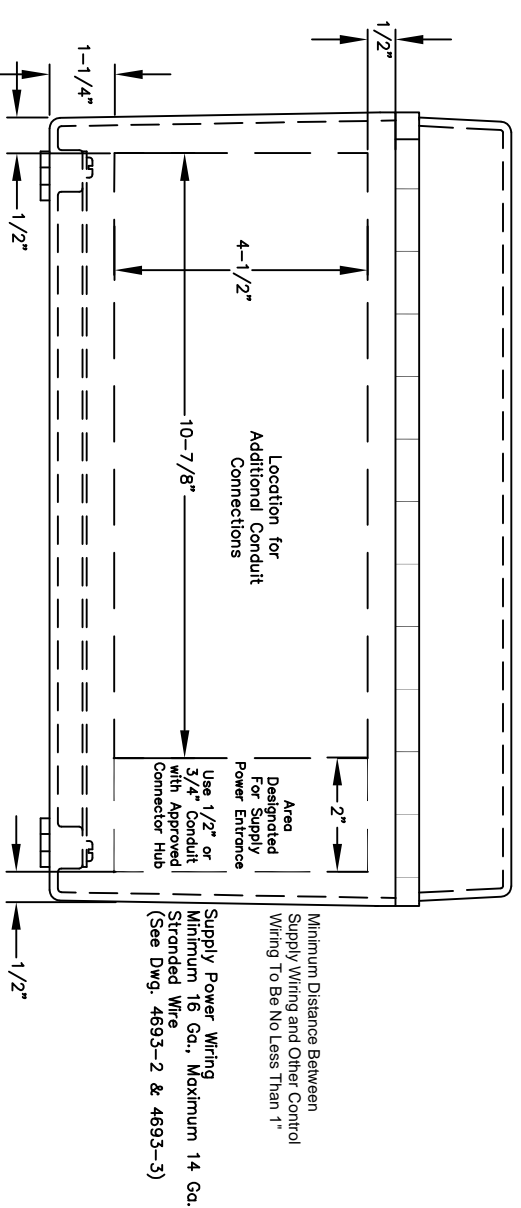


Secure Enclosure to Wall or Stable Structure
Using 1/4" Bolts (Not Provided with Equipment)

Controller
Side View



Control Enclosure
Bottom View

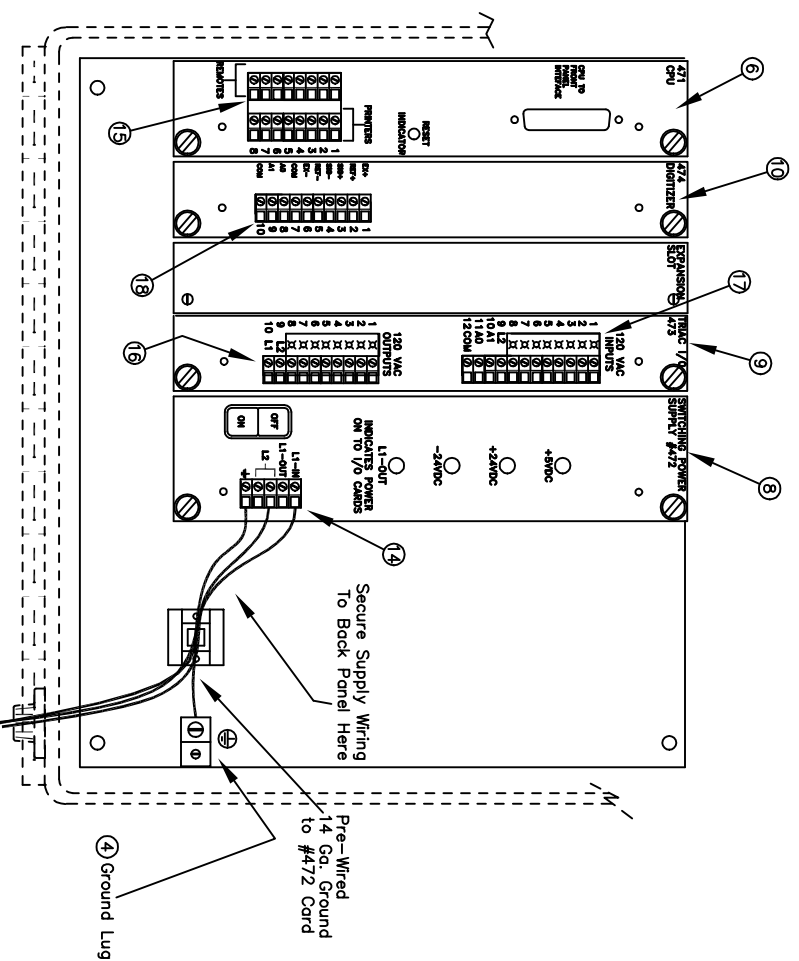


Use 1/2" or 3/4" Water-Tight Conduit Hubs
That are UL Recognized or Listed, Such As
Myer's #ST-1 (1/2") or #ST-2 (3/4")
Do Not Exceed National Electric Code Maximum
Conductors Per Conduit

Supply Power Wiring
Minimum 16 Ga., Maximum 14 Ga.
Stranded Wire
(See Dwg. 4693-2 & 4693-3)

ITEM	QUAN	PART # / DESCRIPTION
1	1	Hoffman A-14128CHSCFG N4X Enclosure
2	1	TSC Keyboard Overlay mounted to door
3	4	1/2" Conduit Plugs - Caplugs #9P-7/B-6
4	1	Ground Lug - Panduit #AMA6-14-0
5	1	#470 to #479 25 Pin Ribbon Cable (Not Shown)
6	1	#470 CPU Card (specify program)
7	1	#478 Busboard
8	1	#472 Switching Power Supply Card
9	1	#473 120 VAC Input/Output Card
10	1	#474 Single Load Cell Digitizer Card
11	1	#479 Keyboard-Display Interface Board
12	1	#200-026 LCD Display w/ Backlight Module
13	1	#200-104 5 Pin Plug for #472 Card
14	1	#200-103 8 Pin Plug for #470 Card
15	2	#200-105 10 Pin Plug for #473 Card Outputs
16	1	#200-106 12 Pin Plug for #473 Card Inputs
17	1	#200-108 10 Pin Plug (BLACK) for #474 Card
18	1	#200-110

5297 Controller
Back Panel & Card Cage
Detail



WARNING: This Equipment
Is To Be Installed And
Serviced By Qualified
Service Personnel ONLY
Read Instruction Manual
CAREFULLY Before
Attempting to Install This
Equipment.

Controller Layout Drawing
5297 EL Checkweigher

NO		BY	DATE	REVISION
F				
E				
D				
C				
B				
A				
NO		BY	DATE	REVISION

Thompson
Scale Co.



DATE 12/05
SCALE AV
REVISED

5297-1

